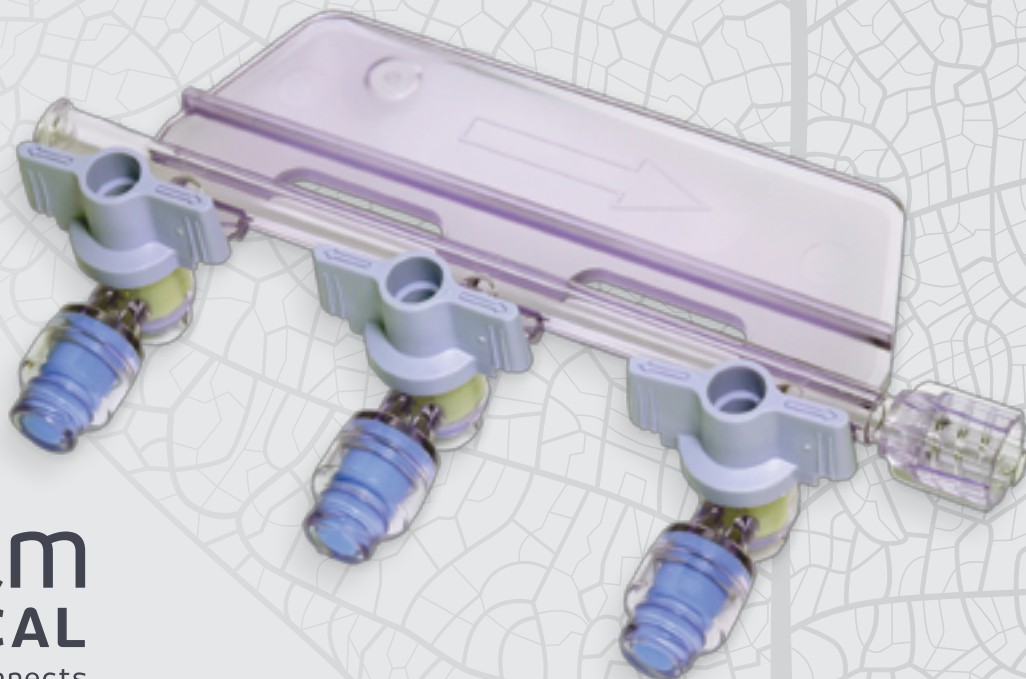


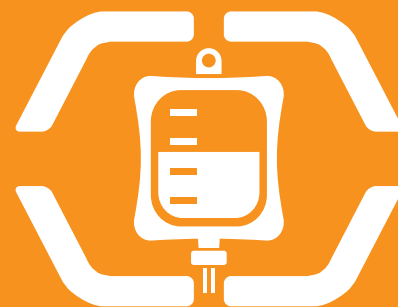
SafePort™ Manifold

For your peace of mind in anesthesia administration

Induction of anesthesia during operation is involved with enormous responsibility, requires multiple skills and focus. By integrating the SafePort™ Manifold into your solutions, you will be able to create ease and simplify the anesthesiologists' work during procedures.



IV Therapy & Anesthesia



 Elcam Devices

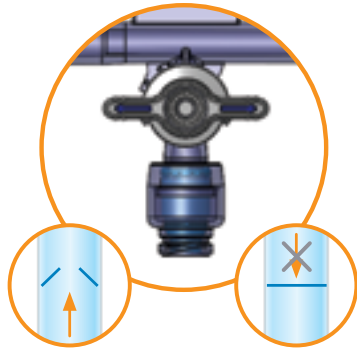
 Elcam Stopcocks

 Elcam Components

The SafePort™ is an improved function manifold with patented dual flow option innovative side-port valves .

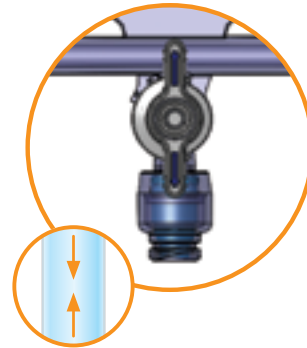
The two flow options are controlled by a simple 90° turn of the handle: Accessible for two-way free flow or one way pressure activation.

One way pressure activated



Pressure Activated gate Sealed gate to I.V line

Free Flow



Free flow of fluid in both directions

Each port of the SafePort™ manifold allows delivery by pump, multiple syringes, IV lines with preferred solutions or drugs, and enables aspiration.

Benefits:

- Minimizes the likelihood of inadvertent injection
- Reduces the risk of inadvertent drugs admixture
- Assures zero backflow
- Eliminates the risk of gas embolism or blood loss during disconnection of the syringe
- Needle free connection - prevents needle-stick injuries
- Clear and visible control over flow direction and fluid path
- Easy to use
- Enables single-handed operation
- Available as a closed system with integrated Swabbable Luer Activated Valves, for minimizing leakages and exposure to contamination.



Configurations:

With or without in-line check valve



With or without swabbable valves



Two or Three gangs



Regulatory status: 510(k) cleared

The device is biocompatible according to ISO 10993-1



www.elcam-medical.com

Head Office / Manufacturer
Elcam Medical

BarAm 1386000,
Israel
Tel: 972 4 698 8120/1/2
Fax: 972 4 698 0777
sales@elcam.co.il

USA
Elcam Medical Inc.

2 University Plaza, Suite 620
Hackensack, NJ 07601
Tel: +1 201 4571120
Fax: +1 201 4571125
info@elcam-medical.com

Europe
Elcam Medical Europe

Via Emilia Romagna 15,
41012 Carpi (Modena) Italy
Tel: +39 059 697710
Fax: +39 059 697705
sales.eu@elcam-medical.com

China
Elcam China Office

Room 3309, Jinhai Mansion
No. 89 of Anshun Road,
Shanghai, PRC. Zip: 200051
Tel: +86 21 62829967
Fax: +86 21 62829967
johnliu02@126.com